

KLIKLOK™ VARI-RIGHT Cartoner Closer



BOSCH
Invented for life



The Vari-Right, a three-flap, right angle closer for top load cartons has a revolutionary variable pitch design. It incorporates the dual benefits of lugged carton control and random in-feed timing, as a result of “infinitely variable” flight centres. Patented “pop up” lug technology has been optimised in a full servo motor platform. Vari-Right’s unique design combines the carton control benefits of a lugged carton closer without sacrificing the advantages of a random style carton infeed.

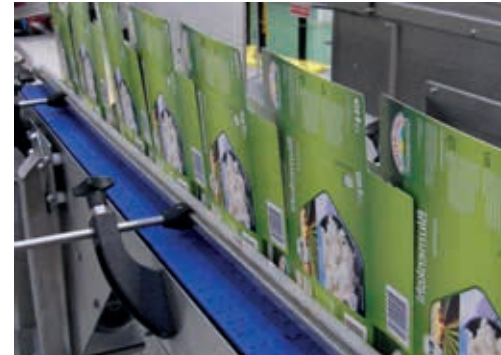


Patented Variable Flight Pitch

Infinitely-variable flight centres are created by Vari-Right’s “pop-up lug” technology, which fires lugs only when a carton is present. This patented technology provides positive carton control and allows for a broad carton size range.

Interactive Colour Touch Screen

Insight software package is a graphics-based operator interface. The wide use of pictures and icons makes the system simple to operate, reducing operator training, as memory recall of pictures is almost three times greater than that of text



Absolute Cover Registration

Flawless registration is achieved by first folding the trailing charlotte flap, ensuring consistent alignment of the front tuck. With the front truck aligned and glued, the charlotte flaps are promised seamless registration, dramatically reducing carton waste and offering ideal presentation of the final package.

Automatic Programme Setup

Parameter settings are automatically adjusted for optimal performance based on carton size and speed, allowing increased operating efficiency and reduced waste.

Easy, Three-Dimensional Size Change

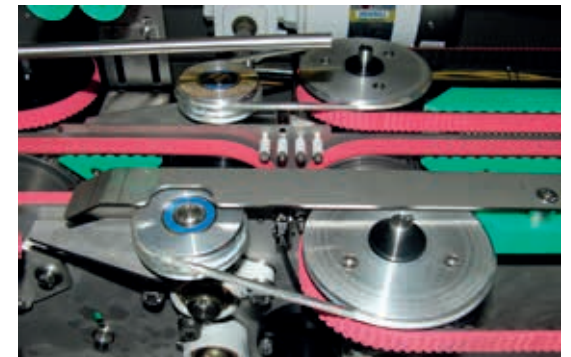
Automatic programme set up, and a simple mechanical hand-wheel for dimensional changes, makes size change achievable in less than ten minutes.

Compact Footprint

The Vari-Right offers the fastest speeds of any right angle carton closer, with speeds up to 120 cartons per minute, in an efficient footprint. Additionally, opposite-hand discharge offers greater layout flexibility.

Product Variability

Flexible overhead carton guides compensate for overstuffed cartons, allowing for variations in product and reducing downtime.



**Pioneering
Engineering**

KLIKLOK™ VARI-RIGHT Cartoner Closer

Performance

Speed:
Variable to 120 CPM
Actual speed depends upon carton size and style.

Carton Size Range (mm)

	Max	Min
Length	381	102
Width	305	83
Depth	127	38

An individual carton combining multiple minimum or maximum dimensions may not be compatible with the standard system

Operating Requirements

ELECTRICAL:

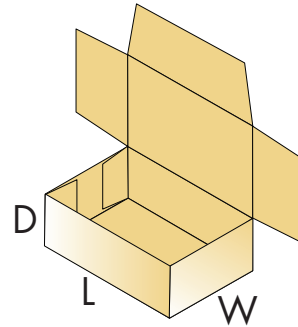
400V 3 Phase 50HZ plus neutral & earth
Electrical system conforms to HSWA/IEC 201 (EN60204-1)

POWER: 10kW

AIR CONSUMPTION: 85 ltrs/min (3 SCFM) @ 5.5 bar (80 psi)

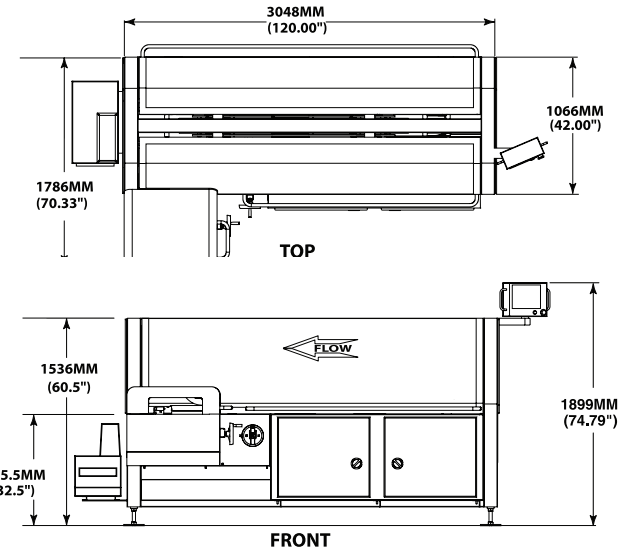
Construction

Fully welded stainless steel frame. Stainless steel shafts. Chains, pulleys & sprockets are nickel-plated UHMWP. Polycarbonate overhead guards.



Standard Features

- Heavy duty fully-welded tubular stainless steel frame
- Compact footprint
- Allen Bradley or Siemens machine controls
- Dynamic adjustment of drives through touch screen
- User friendly colour touch screen icon-based operator Interface for easy setup and operation
- Driven Infeed to accept Random Carton Flow
- Cantilevered overhead carton transport assemblies
- Roller Compression
- Digital indicators for easily repeatable size changes
- Independent Servo and VFD drives for each machine section
- User-friendly controls, minimum set-up parameters
- Nordson® ProBlue hot melt adhesive system



Optional Features

- Hood-Cover Closure (cover left infeed only)
- Cover-Left carton Orientation
- Opposite-hand machine orientation (discharge)
- Casters for portability
- Size Range Modifications
- Automatic lubrication
- Cluster lubrication
- Additional glue guns

KLIKLOK™

Western Drive, Hengrove Park Estate, Bristol BS14 OAY England
Tel +44-1275-836131 Fax +44-1275-891754
sales@kliklok-int.com

www.kliklok-int.com