

KLICKLOK™ SMART-3 Lugless Carton Closer



BOSCH
Invented for life



Introducing Klicklok's new lugless carton closer - the Smart-3. This compact machine is ideal for the automatic hot-melt sealing of hinge-cover, 3-flap cartons at speeds of up to 120 cartons per minute, offering an economical, space-saving solution. The innovative in-line carton pivot turning bed ensures simple and reliable carton handling in minimum length.

Stainless Steel

The Smart-3 closer has a rigid, robust, corrosion-resistant stainless steel construction, to comply with the most demanding dry or wet production environments. Where wash-down is required, the Smart-3's electrical cabinet is rated NEMA4.

Hot melt glue system

The Smart-3 closer is fitted with a Nordson Pro Blue 4 enclosed hot melt glue system, with nozzle type application for accurate and consistent closure.



Insight® Colour touchscreen

The Smart-3 closer is equipped with a Panelview Plus 700 colour touch screen, with icon based controls for ease of operation, fault diagnosis & speed adjustment.



Random carton infeed

Independently driven infeed metering wheels allow the Smart-3 to accept a random flow of cartons from upstream product loading equipment, improving efficiency and simplifying line integration.

Large size range

The carton size range of the Smart-3 size is generous, to cater for a wide range of applications, offering maximum flexibility. The Smart-3 can be customised to suit numerous carton styles, including 'Hood cover' and 'Scallop edged' cartons.



Lugless design

A simplified lugless design eliminates carton carrying lugs, driven chains, mechanical transfers and timing flaps. Instead, reliable VFD motors directly drive durable, easy replaceable high-friction belts to quietly convey cartons through the machine to effectively reduce any carton marking and product damage.

Easy, three-dimensional size change

Automatic programme set-up and a simple mechanical hand-wheel with digital indicators make size change achievable in less than ten minutes – a quick and easy changeover, with minimal downtime.

**Pioneering
Engineering**

KLIKLOK™ SMART-3 Lugless Carton Closer

Performance

Speed:

Variable up to 120cpm

Actual speed depends upon machine configuration and carton size and style.

Carton Size Range (mm)

	Max	Min
Length	380	95
Width	305	95
Depth	127	25

Operating Requirements

ELECTRICAL:

400V 3 Phase 50HZ plus neutral & earth

Electrical system conforms to HSWA/IEC 201 (EN60204-1)

POWER: 10Kw service required

AIR CONSUMPTION: Compressed Air: 80litres/min @ 5.5Bar

Construction

Stainless steel frame. Clear polycarbonate overhead guards. Any mild steel parts will be electroless nickel-plated. Aluminium parts will be anodised

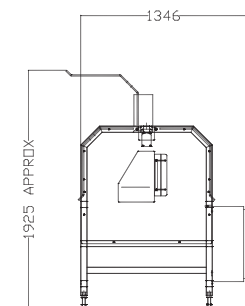
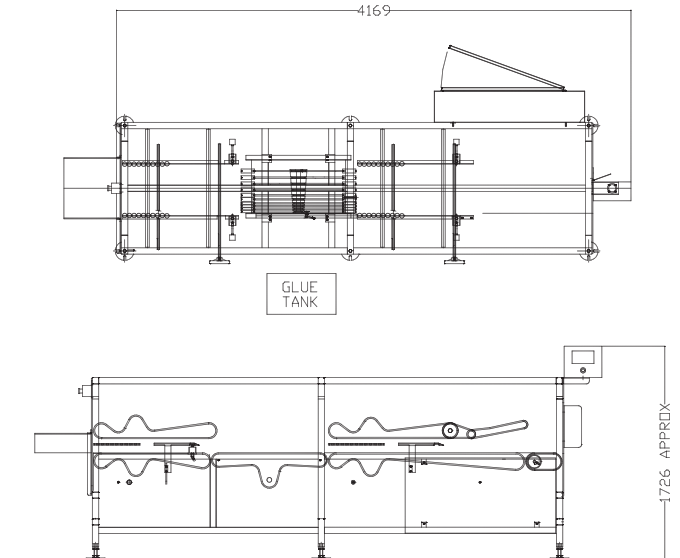
Approximate shipping weight: 1134kgs (2500 lbs)
palletised

Standard Features

- Predominantly stainless steel construction
- Lugless design
- Small machine footprint
- Colour touch screen operator interface
- Cantilevered overhead assembly
- Digital indicators for easy size change
- Roller compression
- Carton transport via durable twin urethane belts
- Straight line, 90 degree carton turner
- Nordson hot melt glue system
- Fast & simple size change
- Minimal maintenance
- CE Mark

Optional Features

- Cover left carton orientation
- Hood cover closure
- Modifications for special carton shapes
- Casters for portability
- Customised electrical packages
- Automatic lubrication



KLIKLOK™

Western Drive, Hengrove Park Estate, Bristol BS14 0AY England

Tel +44-1275-836131 Fax +44-1275-891754

sales@kliklok-int.com

www.kliklok-int.com