

KLIKLOK™ GENESIS Carton Former



BOSCH
Invented for life



The newly designed Genesis carton forming machine has been specially developed to combine high-speed forming capabilities with a very generous carton size range capacity, with a single or double head configuration.

The Genesis Former can truly be characterized as the product of years of experience and evolution in top load lock style carton forming technology. Equipped with many common options as standard equipment, the Genesis offers the ultimate in operational flexibility, versatility and simplified, user-friendly size changeover

Easy carton size changeover

Carton size changeover can be accomplished in just ten to fifteen minutes. The design of the Genesis features a quick-change feed-bar assembly and quick-release plunger tube mountings, that allow for an accelerated carton size changeover without the use of tools.



Smooth, dependable carton feed geometry

The Genesis forming machine boasts an improved geometry, designed to deliver higher stroking speeds with considerably greater smoothness. Improved linkage arrangement also facilitates an increased carton size range capability, which allows the Genesis to handle larger carton sizes typically limited to slower speed forming equipment.



Composite forming heads

Individual Genesis forming head assemblies are designed and manufactured to Kliklok's exact specifications, using composite materials to provide an exceptionally durable, light-weight and quiet operation.

The lightweight composite material reduces wear of the forming heads by 30%

**Pioneering
Engineering**

KLIKLOK™ GENESIS Carton Former

Performance

Speed:
Variable speed 30-70 strokes/minute (90 strokes/min possible subject to engineering evaluation).

Carton Size Range (mm)

	SINGLE HEAD		DOUBLE HEAD	
	Max	Min	Max	Min
Length	300	100	270	100
Width	254	90	254	90
Depth	90	20	90	20

Operating Requirements

ELECTRICAL:

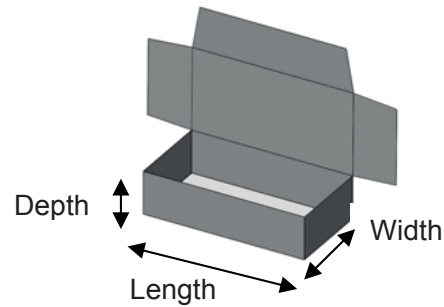
400V 3 Phase 50HZ plus neutral & earth
Electrical system conforms to HSWA/IEC 201 (EN60204-1)

POWER: 4.0 kW

Construction

Stainless steel, bead blasted frame. Chains, pulleys and sprockets are nickel-plated. Clear polycarbonate guards.

Approximate shipping weight: 855kgs palletised



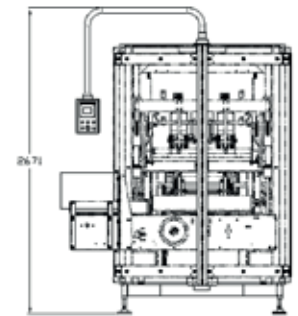
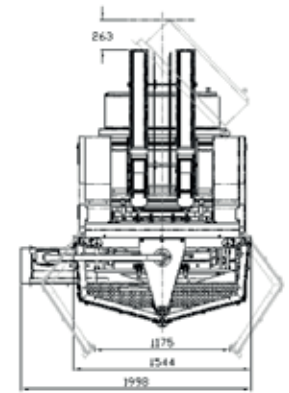
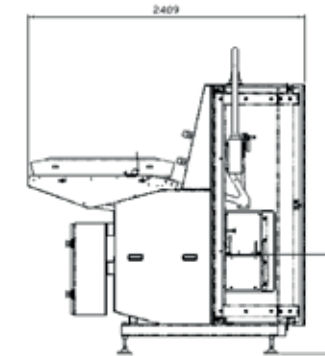
Standard Features

- Robust stainless steel frame
- Static inclined carton hopper with weighted, locking stack pushers
- Front opening guarding with interlocked wardrobe-style doors
- Double or single head configuration
- Operator control via HMI screen
- Anti-vibration feed with 50mm +/- adjustable legs
- Manual lubrication
- IP54 rated
- CE Mark

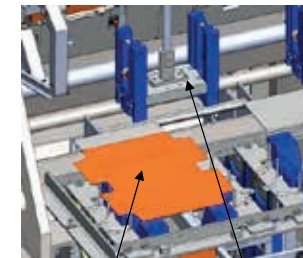
Optional Features

- Vacuum strip-off
- Carton takeaway Conveyor
- Controlled carton supply system
- Carton air eject system
- Left or right hand configuration

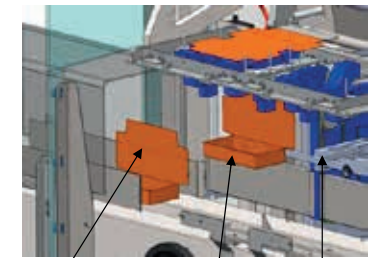
System Layout



Forming Operation



CARTON BLANK ON REGISTER PLUNGER



FORMED CARTON ON TAKEAWAY CONVEYOR (OPTIONAL) FORMED CARTON VACUUM STRIPOFF (OPTIONAL)

KLIKLOK™

Western Drive, Hengrove Park Estate, Bristol BS14 0AY England
Tel +44-1275-836131 Fax +44-1275-891754
sales@kliklok-int.com

www.kliklok-int.com