

KLIKLOK™ C1F Single Flap Cartoner Closer



BOSCH
Invented for life



Kliklok's new C1F is a medium speed continuous motion automatic closer for single flap, hinge cover cartons. The cover tuck flap can be inserted inside or hot melt glued to the outside of the front wall.

The C1F single flap glue closer incorporates a controlled carton transport system. The result is an efficient and highly reliable carton closing system, in a straight line and compact design. Easy to operate and maintain, and built with the same heavy duty parts and components as featured on all of Kliklok carton closing machines. The C1F closer is an ideal solution for automatic closure of simple glue style cartons.

Features include infinitely variable speed, up to 150 cartons per minute, depending on infeed system. The machine also has the flexibility to handle a wide range of different cartons and allows quick repeatable settings via screw drives and easily readable digital indicators.

The fully automatic infeed device accepts cartons from any feeding conveyor. Each machine is comprehensively guarded and a variety of coding systems can be provided.

An alternative version, the C1H closer, is specially designed to close 'hood cover' style cartons, for example tea 'caddy' packs. This machine has the same features and benefits as the C1F closer. The C1H has a moving overhead which manipulates the carton to create the hood cover. Both versions have 2 infeed options: Pneumatic gate for speeds up to 80cpm and "Smartbelt" up to 150cpm

Stainless Steel

The C1F has a rigid & robust stainless steel construction, to comply with the food industry's demanding wash-down and sanitary requirements.

Fast size change

The C1F has a digital readout for machine calibration, combined with simple manual size adjustments, providing quick and easy carton size changeover, minimising downtime.

Interactive colour touch screen

A standard feature on the C1F, the Insight® colour touch screen is simple to learn and operate, using icon-based intuitive controls. It offers superior troubleshooting capability, advanced diagnostics with shift performance data & optional digital manuals. The 6" (165mm) screen also enables accuracy in glue control & application.



Hot melt glue system

As with all Kliklok's glue closers, the C1F is fitted with a hot melt glue system, with nozzle type application for controlled and consistently accurate closure.

Compact design

The C1F offers an efficient footprint, making it the ideal choice for customers with limited floor space.

**Pioneering
Engineering**

KLIKLOK™ C1F Single Flap Cartoner Closer

Performance

Speed:

Variable up to 150 cpm
Actual speed depends on pitch, product characteristics, carton size & style

Carton Size Range (mm)

	Max	Min
Length A	250	100
Width B	200	50
Depth C	100	25
Flap D	50	15
Tuck E	30	15

Operating Requirements

ELECTRICAL:

400V 3 Phase 50HZ plus neutral & earth
Electrical system conforms to HSWA/IEC 201 (EN60204-1)

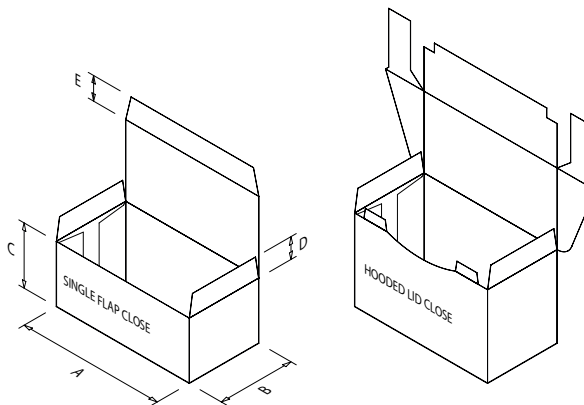
POWER: Maximum Power 3.5 kW

AIR CONSUMPTION: 40 litres per minute max @ 6 Bar
(Glue closure)

Construction

Stainless steel frame. Clear polycarbonate overhead guards. Any mild steel parts will be electroless nickel-plated. Aluminium parts will be anodised.

Approximate shipping weight: 800kgs packed



Standard Features

- Stainless steel construction
- Easy access machine frame
- Overhead cover control
- Interactive colour touch screen
- Digital indicators for easy size change
- Nordson hot melt glue system where applicable
- Powered outfeed belts
- Allen Bradley electrical package
- CE Mark

Optional Features

- Cover left or right carton orientation
- Hood cover closure
- Siemens electrical package
- Automatic lubrication

