



**BOSCH**

Invented for life



## Kliklok SR4W

Topload Carton Former  
Large Format Carton Capability

Kliklok's SR4W lock-style carton forming machine is designed to form cartons twice as large as our other machines can at moderate speeds. The SR4W is the ideal carton former for packaging lines where "club store cartons" are part of the production lineup.

Carton changeover can be accomplished in just ten to fifteen minutes with minimal use of tools. Fixed size tooling minimizes the time to stop and restart the line and reduces labor for fast and repeatable size changes. Packaging lines can be switched from club store cartons to smaller retail cartons with minimal downtime, increasing efficiency and making the most of your investment.

### Easy operation with touchscreen HMI

The color graphic touchscreen HMI is intuitive and features recipe-based programming that reduces operator error and ensures consistent performance, regardless of shift or operator skill.

### Multiple head configurations

The SR4W combines single-head to triple-head configurations with a very wide carton size range to provide outstanding production efficiency.

### Quick-change forming heads

Kliklok's composite forming heads are lightweight, long-lasting, and provide unusually quiet operation. Size changes can be made in as little as ten to fifteen minutes.

### Large carton size range

The SR4W is designed to handle a wide size range of retail and club store cartons in a variety of carton styles at the fastest speeds in the industry.

### Stainless steel standard

The SR4W's construction and legendary reliability makes it suitable for a broad range of production environments. The SR4W is rated IP54 for mild washdown.

## Key Features

- ▶ Speeds up to 120 cpm (dual heads)
- ▶ Easy-to-use touchscreen HMI
- ▶ Large-format carton capability
- ▶ Durable, stainless design
- ▶ Fast changeovers

## Packaging System Structure

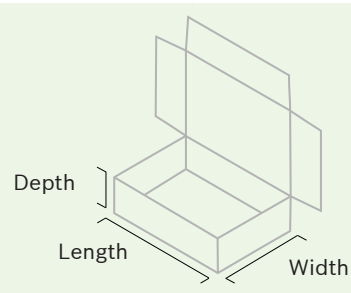
Primary Packaging

Product Handling

Secondary Packaging

# Kliklok SR4W Topload Carton Former

## Technical Specifications

Performance		Carton Size Range	Minimum	Maximum
Speed ( strokes per min )	Variable from 25 to 75	Length ( SR4WD )	127 mm ( 5.00" )	356 mm ( 14.00" )
Actual speed depends on machine configuration, product and carton size and carton style. Ask Kliklok about meeting higher speed requirements.		Length ( SR4W )	127 mm ( 5.00" )	711 mm ( 28.00" )
		Width	102 mm ( 4.00" )	304 mm ( 12.00" )
Operating Requirements		Depth	22 mm ( .87" )	140 mm ( 5.50" )
Power Consumption	3 kVA	An individual carton combining multiple minimum or maximum dimensions may not be compatible with the standard system.		
Air	20 liters/min ( 0.7 cfm )			
	5.5 bar ( 80 psi )			
<b>Construction</b>				
Fully-welded stainless steel frame. Stainless steel shafts. Chains, pulleys and sprockets are nickel-plated. Clear polycarbonate guards.				
Shipping Weight, Skidded	1207 kg ( 2662 lb )			

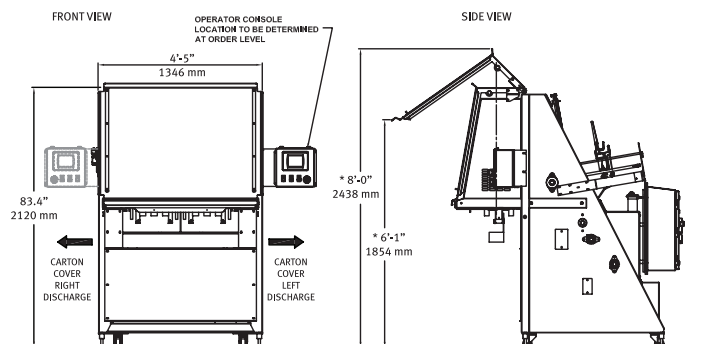
## Standard Features

- ▶ Multiple-head configuration, single or double
- ▶ Allen-Bradley PanelView color touchscreen HMI, front-mounted
- ▶ Allen-Bradley PLC controls and electricals
- ▶ Fully automatic operation plus jog control
- ▶ Lightweight feed bar assembly
- ▶ 380 mm ( 15" ) hopper capacity
- ▶ Inclined carton magazine agitators for positive stack advancement and weighted, locking stack pushers
- ▶ Controlled carton supply system with photoeye\*
- ▶ Vacuum pump for carton feeder with overload protection
- ▶ Fully-enclosed barrier guarding with interlocked doors
- ▶ Startup delay with horn
- ▶ Nema 4X stainless steel slope top electrical enclosure with flange-mounted main disconnect\*
- ▶ IP54 dust and water splash protection
- ▶ Casters for portability and leveling screws
- ▶ Leg kit for adjustable height
- ▶ Multi-color light stack
- ▶ External ethernet convenience port
- ▶ Low carton stack alarm

\* Regional differences to specification may apply

## Optional Features

- ▶ Machine-driven flighted outfeed conveyor with configurable discharge direction
- ▶ Higher speed ratings
- ▶ Controlled vacuum system with remote foot switch
- ▶ Alternative vacuum sources
- ▶ Detent plunger
- ▶ Alternative electrical controls
- ▶ Air eject system
- ▶ Triple and quad-head configuration



Bosch Packaging Technology

boschpackaging.com

**Kliklok International** Western Drive, Hengrove Park Estate, Bristol, BS14 0AY UK +44 1275 836131 [kliklok-int.com](http://kliklok-int.com)

**Kliklok-Woodman** 5224 Snapfinger Woods Drive, Decatur, GA 30035 USA +1 770-981-5200 [kliklokwoodman.com](http://kliklokwoodman.com)