



**BOSCH**

Invented for life



## Kliklok ECT-500

Topload Carton Former  
Reliable and Efficient Glue Forming

Kliklok's ECT-500 is a hot-melt adhesive topload carton and tray forming machine. The innovative indexing turrets provide remarkable carton control and are capable of handling an impressive array of carton and tray designs, from typical four-corner styles to complex hexagonal, octagonal, and other unusual multi-sided packages. This former is also available as a double-head model.

### Easy operation with touchscreen HMI

The color graphic touchscreen HMI is intuitive and features recipe-based programming that reduces operator error and ensures consistent performance regardless of shift or operator skill.

### Reciprocating forming cavity for superior sealing

The reciprocating forming and compression motion on the ECT provides exceptional carton sealing. The double compression results in flawless, square cartons.

### Four-station turret for superior carton control

The ECT's innovative technology provides discrete carton feeding, glue application, forming, and finished carton strip-off at progressive turret positions with short, controlled movements and smooth mechanical action.

### Integrated outfeed conveyor

Standard equipment on the ECT and oriented to exit either left or right, the high-grip belt conveyor offers investment savings and layout flexibility.

### Positive carton strip-off

Mechanical strip-off fingers ensure that each carton is accurately placed on the running conveyor. This allows for greater carton control and higher machine efficiency without a traditional air eject system.

## Key Features

- ▶ Speeds up to 80 cpm
- ▶ Indexing turret provides full carton control
- ▶ Fixed mandrel for standard and special shapes
- ▶ Easy-to-use touchscreen HMI
- ▶ Integrated outfeed conveyor

## Packaging System Structure

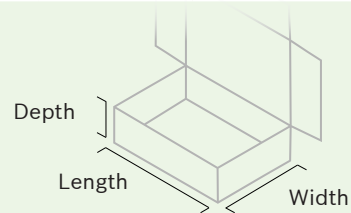
Primary Packaging

Product Handling

Secondary Packaging

# Kliklok ECT-500 Topload Carton Former

## Technical Specifications

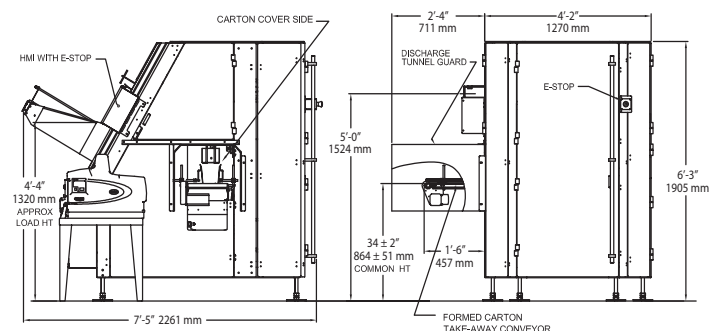
Performance		Carton Size Range	Minimum	Maximum
Speed ( strokes per min )	Variable from 35 to 80	Length	100 mm ( 3.94" )	450 mm ( 17.75" )
Actual speed depends on machine configuration, product and carton size and carton style. Ask Kliklok about meeting higher speed requirements.		Width	70 mm ( 2.75" )	212 mm ( 8.31" )
		Depth	25 mm ( 1.00" )	100 mm ( 3.94" )
Operating Requirements		An individual carton combining multiple minimum or maximum dimensions may not be compatible with the standard system. 		
Power Consumption	17 kVA			
Air	85 liters/min ( 3 cfm )			
	5.5 bar ( 80 psi )			
Construction		Shipping Weight, Skidded	850 kg ( 1874 lb )	
Fully-welded stainless steel frame. Stainless steel shafts. Chains, pulleys and sprockets are nickel-plated. Clear polycarbonate guards.				

## Standard Features

- ▶ High-speed four-station rotary forming turret
- ▶ Allen-Bradley PanelView color touchscreen HMI, rear-mounted
- ▶ Allen-Bradley PLC controls
- ▶ Compact construction
- ▶ Integrated belt-style outfeed conveyor
- ▶ Static hopper
- ▶ Controlled carton supply system
- ▶ Vacuum pump (with overload protection) for forming anvils
- ▶ Vacuum generator pump for carton feed
- ▶ Fully enclosed barrier guarding with interlocked doors
- ▶ Mild steel painted construction
- ▶ Overload detent clutch for machine protection
- ▶ Multi-color light stack
- ▶ Delay start horn
- ▶ Hot-melt glue system

## Optional Features

- ▶ Machine-driven flighted outfeed conveyor, configurable discharge direction
- ▶ Controlled vacuum control via foot switch
- ▶ Alternative electrical controls
- ▶ Casters for portability
- ▶ Low carton inventory sensing with alarm
- ▶ Handwheel
- ▶ Horizontal powered carton magazine
- ▶ Available as double head version



Bosch Packaging Technology

[boschpackaging.com](http://boschpackaging.com)

**Kliklok International** Western Drive, Hengrove Park Estate, Bristol, BS14 0AY UK +44 1275 836131 [kliklok-int.com](http://kliklok-int.com)

**Kliklok-Woodman** 5224 Snapfinger Woods Drive, Decatur, GA 30035 USA +1 770-981-5200 [kliklokwoodman.com](http://kliklokwoodman.com)